

HCBB60S



金属化聚丙烯膜交流电动机电容器(安全等级S3,圆柱形/塑料外壳)



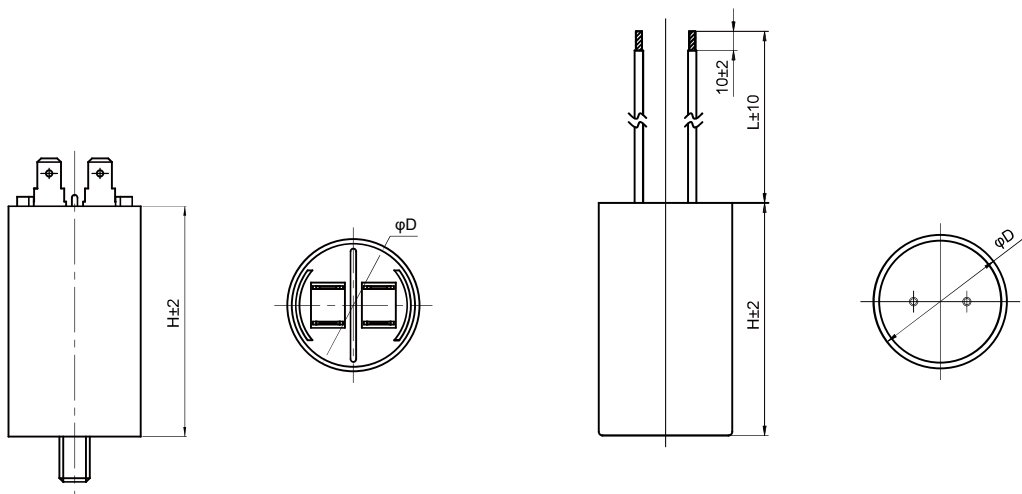
特点

- 适用于频率为50Hz/60Hz交流电源供电的单相电动机启动和运转
- 阻燃塑壳，环氧树脂灌封
- 有自愈特性
- 性能稳定和可靠性高
- 采用安全膜设计，达到S3安全防护等级

安全认证

	CQC	GB/T 3667.1	1 μ F-60 μ F,±5%,250VAC~300VAC 40/70/21,40/85/21, B/C, S3,50/60Hz 证书号:CQC16006150760 1 μ F-60 μ F,±5%,450/500VAC 40/70/21,40/85/21,B/C, S3,50/60Hz 证书号:CQC16006150762
	TUV	EN 60252-1	1 μ F~60 μ F,±5% 220VAC~500VAC AC,40/70/21,40/85/21,B,50/60Hz,S3,SH 证书号:R 50258744

外形图



a) 插片方式

b) 引出线方式

技术要求

引用标准	GB/T 3667.1(IEC 60252-1)	
额定电压	250VAC ~ 500VAC(50Hz/60Hz)	
运行等级	Class B(10000h)	
电容量范围	1 μ F~60 μ F	
气候类别	40/70/21,40/85/21	
安全防护等级	S3	
工作温度范围	-40°C~70°C / -40°C~85°C	
电容量偏差	\pm 5%(J)	
耐电压	端子间	2U _{NAC} (60s)
	极壳间	2000Va.c. (60s)
绝缘电阻(IR \times C _N)	\geq 3000s(20°C,100V,60s)	
损耗角正切	< 0.0020(100Hz,20°C)	
最高运行电压	1.1U _N	
最高运行电流	1.3I _N	

产品订货标记

1	2	3	4	5	6	7	8	9	10	11	12	13	14	15	16	17	18	19	20	21	22	23	24	25
H	C	B	B	6	0	S	/													(x	x	x)
电容器代码						安全防护等级		额定电压代码	标称容量代码	容量偏差代码	塑壳尺寸代码	运行等级	引出端代码	内部特征码										
						S3		E2=250V S2=450V H2=500V	举例: 155=15 \times 10 ⁵ pF =1.5 μ F	J=±5%	见表1	B-10000h	见表2	需要区分特殊要求时使用										

表1: 塑壳尺寸代码

第15位		第16位			
代码	直径(mm)	代码	高度(mm)	代码	高度(mm)
1	25	1	38	E	75
2	28	2	43	F	76
3	30	3	48	G	80
4	32	4	50	H	85
5	35	5	52	J	90
6	40	6	53	K	95
7	41	7	54	L	100
8	45	8	55	M	110
9	50	9	57	N	115
A	55	A	58	P	120
B	60	B	62	R	30
		C	65	S	40
		D	70	Q	72

表2: 引出端代码

第18位		第19位		第20位	
代码	引出端形式	代码	安装形式	代码	引出端长度及偏差
1	AMP250#插片每边一个	0	无底螺	0	标准的引出线长度 140mm ± 10mm 或插片式
2	AMP250#插片每边两个	2	有底螺	L	客户指定线长及公差
6	引出线				

产品尺寸

C _N (μF)	250VAC(Class B) (插片)			250VAC (Class B) (引出线)		
	D±1 mm	H±2 mm	产品订货标记	D±1 mm	H±2 mm	产品订货标记
2.5	25	43	HCBB60S/E2255J12B**0	25	38	HCBB60S/E2255J11B6*0
3.0	25	43	HCBB60S/E2305J12B**0	25	38	HCBB60S/E2305J11B6*0
4.0	25	43	HCBB60S/E2405J12B**0	25	38	HCBB60S/E2405J11B6*0
5.0	25	54	HCBB60S/E2505J17B**0	25	48	HCBB60S/E2505J13B6*0
5.5	25	54	HCBB60S/E2555J17B**0	25	48	HCBB60S/E2555J13B6*0
6.0	25	54	HCBB60S/E2605J17B**0	25	48	HCBB60S/E2605J13B6*0
6.5	25	54	HCBB60S/E2655J17B**0	25	48	HCBB60S/E2655J13B6*0
7.0	28	53	HCBB60S/E2705J26B**0	28	48	HCBB60S/E2705J23B6*0
7.5	28	53	HCBB60S/E2755J26B**0	28	48	HCBB60S/E2755J23B6*0
8.0	28	53	HCBB60S/E2805J26B**0	28	48	HCBB60S/E2805J23B6*0
8.5	28	53	HCBB60S/E2855J26B**0	28	48	HCBB60S/E2855J23B6*0
9.0	28	53	HCBB60S/E2905J26B**0	28	48	HCBB60S/E2905J23B6*0
10	32	57	HCBB60S/E2106J49B**0	32	50	HCBB60S/E2106J44B6*0
12	32	57	HCBB60S/E2126J49B**0	32	50	HCBB60S/E2126J44B6*0
14	32	57	HCBB60S/E2146J49B**0	32	50	HCBB60S/E2146J44B6*0
15	32	57	HCBB60S/E2156J49B**0	32	50	HCBB60S/E2156J44B6*0
16	35	70	HCBB60S/E2166J5DB**0	35	62	HCBB60S/E2166J5BB6*0
18	35	70	HCBB60S/E2186J5DB**0	35	62	HCBB60S/E2186J5BB6*0
20	35	70	HCBB60S/E2206J5DB**0	35	62	HCBB60S/E2206J5BB6*0
24	35	75	HCBB60S/E2246J5EB**0	35	70	HCBB60S/E2246J5DB6*0
25	35	75	HCBB60S/E2256J5EB**0	35	70	HCBB60S/E2256J5DB6*0
28	40	70	HCBB60S/E2286J6DB**0	41	65	HCBB60S/E2286J7CB6*0
30	40	70	HCBB60S/E2306J6DB**0	41	65	HCBB60S/E2306J7CB6*0
35	41	80	HCBB60S/E2356J7GB**0	41	76	HCBB60S/E2356J7FB6*0
40	41	80	HCBB60S/E2406J7GB**0	41	76	HCBB60S/E2406J7FB6*0
42	41	80	HCBB60S/E2426J7GB**0	41	76	HCBB60S/E2426J7FB6*0
45	45	80	HCBB60S/E2456J8GB**0	45	75	HCBB60S/E2456J8EB6*0
48	45	80	HCBB60S/E2486J8GB**0	45	75	HCBB60S/E2486J8EB6*0

备注:1)订货标记中“**0”表示插片的引出端代码,我们能提供多种安装方式,请根据表2选择并联络我们具体的安装要求;

2)订货标记中“6*0”表示引出线方式时的安装形式代码,我们能提供多种安装方式,请根据表2选择并联络我们具体的安装要求.

产品尺寸

C _N (μF)	250VAC(Class B) (插片)			250VAC (Class B) (引出线)		
	D±1 mm	H±2 mm	产品订货标记	D±1 mm	H±2 mm	产品订货标记
48	45	80	HCBB60S/E2486J8GB**0	45	75	HCBB60S/E2486J8EB6*0
50	45	80	HCBB60S/E2506J8GB**0	45	75	HCBB60S/E2506J8EB6*0
52	45	80	HCBB60S/E2526J8GB**0	45	75	HCBB60S/E2526J8EB6*0
55	45	80	HCBB60S/E2556J8GB**0	45	75	HCBB60S/E2556J8EB6*0
60	45	90	HCBB60S/E2606J8JB**0	45	85	HCBB60S/E2606J8HB6*0
65	50	90	HCBB60S/E2656J9JB**0	50	85	HCBB60S/E2656J9HB6*0
70	50	90	HCBB60S/E2706J9JB**0	50	85	HCBB60S/E2706J9HB6*0
75	50	90	HCBB60S/E2756J9JB**0	50	85	HCBB60S/E2756J9HB6*0
80	50	95	HCBB60S/E2806J9KB**0	50	90	HCBB60S/E2806J9JB6*0
85	55	95	HCBB60S/E2856JAKB**0	55	95	HCBB60S/E2856JAKB6*0
90	55	95	HCBB60S/E2906JAKB**0	55	95	HCBB60S/E2906JAKB6*0
100	55	100	HCBB60S/E2107JALB**0	55	95	HCBB60S/E2107JAKB6*0

C _N (μF)	450VAC (Class B) (插片)			450VAC (Class B) (引出线)		
	D±1 mm	H±2 mm	产品订货标记	D±1 mm	H±2 mm	产品订货标记
1.5	25	43	HCBB60S/S2155J12B**0	25	38	HCBB60S/S2155J11B6*0
2.0	25	43	HCBB60S/S2205J12B**0	25	38	HCBB60S/S2205J11B6*0
2.25	25	53	HCBB60S/S22N4J16B**0	25	48	HCBB60S/S22N4J13B6*0
2.5	25	53	HCBB60S/S2255J16B**0	25	48	HCBB60S/S2255J13B6*0
3.0	28	58	HCBB60S/S2305J2AB**0	28	43	HCBB60S/S2305J22B6*0
3.5	28	58	HCBB60S/S2355J2AB**0	28	53	HCBB60S/S2355J26B6*0
4.0	28	58	HCBB60S/S2405J2AB**0	28	53	HCBB60S/S2405J26B6*0
4.5	28	58	HCBB60S/S2455J2AB**0	28	53	HCBB60S/S2455J26B6*0
5.0	32	50	HCBB60S/S2505J44B**0	32	53	HCBB60S/S2505J46B6*0
5.5	32	57	HCBB60S/S2555J49B**0	32	53	HCBB60S/S2555J46B6*0

备注:1)订货标记中“**0”表示插片的引出端代码, 我们能提供多种安装方式, 请根据表2选择并联络我们具体的安装要求;

2)订货标记中“6*0”表示引出线方式时的安装形式代码, 我们能提供多种安装方式, 请根据表2选择并联络我们具体的安装要求.

产品尺寸

C _N (μF)	450VAC (Class B) (插片)			450VAC (Class B) (引出线)		
	D±1 mm	H±2 mm	产品订货标记	D±1 mm	H±2 mm	产品订货标记
6.0	32	57	HCBB60S/S2605J49B**0	32	53	HCBB60S/S2605J46B6*0
6.5	32	57	HCBB60S/S2655J49B**0	32	53	HCBB60S/S2655J46B6*0
7.0	32	57	HCBB60S/S2705J49B**0	32	53	HCBB60S/S2705J46B6*0
8.0	35	57	HCBB60S/S2805J59B**0	35	55	HCBB60S/S2805J58B6*0
9.0	35	57	HCBB60S/S2905J59B**0	35	55	HCBB60S/S2905J58B6*0
10	35	70	HCBB60S/S2106J5DB**0	35	62	HCBB60S/S2106J5BB6*0
12	35	75	HCBB60S/S2126J5EB**0	35	70	HCBB60S/S2126J5DB6*0
12.5	35	75	HCBB60S/S212EJ5EB**0	35	70	HCBB60S/S212E6J5DB6*0
13	35	75	HCBB60S/S2136J5EB**0	35	70	HCBB60S/S2136J5DB6*0
14	35	75	HCBB60S/S2146J5EB**0	35	70	HCBB60S/S2146J5DB6*0
15	40	70	HCBB60S/S2156J6DB**0	41	65	HCBB60S/S2156J7CB6*0
16	40	70	HCBB60S/S2166J6DB**0	41	65	HCBB60S/S2166J7CB6*0
18	41	76	HCBB60S/S2186J7FB**0	41	76	HCBB60S/S2186J7FB6*0
20	41	76	HCBB60S/S2206J7FB**0	41	76	HCBB60S/S2206J7FB6*0
25	45	80	HCBB60S/S2256J8GB**0	45	70	HCBB60S/S2256J8DB6*0
30	45	90	HCBB60S/S2306J8JB**0	45	85	HCBB60S/S2306J8HB6*0
35	45	95	HCBB60S/S2356J8KB**0	45	90	HCBB60S/S2356J8JB6*0
40	50	100	HCBB60S/S2406J9LB**0	50	95	HCBB60S/S2406J9KB6*0
45	50	100	HCBB60S/S2456J9LB**0	50	95	HCBB60S/S2456J9KB6*0
50	55	100	HCBB60S/S2506JALB**0	55	95	HCBB60S/S2506JAKB6*0
55	55	100	HCBB60S/S2556JALB**0	55	95	HCBB60S/S2556JAKB6*0
60	55	110	HCBB60S/S2606JAMB**0	55	100	HCBB60S/S2606JALB6*0

备注:1)订货标记中“**0”表示插片的引出端代码,我们能提供多种安装方式,请根据表2选择并联络我们具体的安装要求;
2)订货标记中“6*0”表示引出线方式时的安装形式代码,我们能提供多种安装方式,请根据表2选择并联络我们具体的安装要求.

产品尺寸

C _N (μ F)	500VAC (Class B) (插片)			500VAC (Class B) (引出线)		
	D \pm 1 mm	H \pm 2 mm	产品订货标记	D \pm 1 mm	H \pm 2 mm	产品订货标记
1.5	25	43	HCBB60S/H2155J12B**0	25	38	HCBB60S/H2155J11B6*0
2.0	25	48	HCBB60S/H2205J13B**0	25	43	HCBB60S/H2205J12B6*0
2.5	30	48	HCBB60S/H2255J33B**0	30	48	HCBB60S/H2255J33B6*0
3.0	30	48	HCBB60S/H2305J33B**0	30	48	HCBB60S/H2305J33B6*0
3.5	30	55	HCBB60S/H2355J38B**0	30	48	HCBB60S/H2355J33B6*0
4.0	30	55	HCBB60S/H2405J38B**0	30	48	HCBB60S/H2405J33B6*0
4.5	32	57	HCBB60S/H2455J49B**0	32	50	HCBB60S/H2455J44B6*0
5.0	32	57	HCBB60S/H2505J49B**0	32	50	HCBB60S/H2505J44B6*0
5.5	35	57	HCBB60S/H2555J59B**0	35	55	HCBB60S/H2555J58B6*0
6.0	35	57	HCBB60S/H2605J59B**0	35	55	HCBB60S/H2605J58B6*0
6.5	35	57	HCBB60S/H2655J59B**0	35	55	HCBB60S/H2655J58B6*0
7.0	35	57	HCBB60S/H2705J59B**0	35	55	HCBB60S/H2705J58B6*0
7.5	35	62	HCBB60S/H2755J5BB**0	35	55	HCBB60S/H2755J58B6*0
8.0	35	62	HCBB60S/H2805J5BB**0	35	55	HCBB60S/H2805J58B6*0
9.0	40	70	HCBB60S/H2905J6DB**0	41	65	HCBB60S/H2905J7CB6*0
10	40	70	HCBB60S/H2106J6DB**0	41	65	HCBB60S/H2106J7CB6*0
12	40	70	HCBB60S/H2126J6DB**0	41	65	HCBB60S/H2126J7CB6*0
12.5	45	72	HCBB60S/H212EJ8QB**0	45	72	HCBB60S/H212EJ8QB6*0
13	45	72	HCBB60S/H2136J8QB**0	45	72	HCBB60S/H2136J8QB6*0
14	45	72	HCBB60S/H2146J8QB**0	45	72	HCBB60S/H2146J8QB6*0
15	45	72	HCBB60S/H2156J8QB**0	45	72	HCBB60S/H2156J8QB6*0
16	45	72	HCBB60S/H2166J8QB**0	45	72	HCBB60S/H2166J8QB6*0
18	45	85	HCBB60S/H2186J8HB**0	45	80	HCBB60S/H2186J8GB6*0
20	45	85	HCBB60S/H2206J8HB**0	45	80	HCBB60S/H2206J8GB6*0
25	50	85	HCBB60S/H2256J9HB**0	50	85	HCBB60S/H2256J9HB6*0
30	50	95	HCBB60S/H2306J9KB**0	50	85	HCBB60S/H2306J9HB6*0
35	50	100	HCBB60S/H2356J9LB**0	50	95	HCBB60S/H2356J9KB6*0
40	55	100	HCBB60S/H2406JALB**0	55	95	HCBB60S/H2406JAKB6*0
45	55	110	HCBB60S/H2456JAMB**0	55	100	HCBB60S/H2456JALB6*0
50	55	120	HCBB60S/H2506JAPB**0	55	110	HCBB60S/H2506JAMB6*0
55	60	120	HCBB60S/H2556JBPB**0	60	115	HCBB60S/H2556JBNB6*0
60	60	120	HCBB60S/H2606JBPB**0	60	115	HCBB60S/H2606JBNB6*0

备注:1)订货标记中“**0”表示插片的引出端代码,我们能提供多种安装方式,请根据表2选择并联络我们具体的安装要求;
2)订货标记中“6*0”表示引出线方式时的安装形式代码,我们能提供多种安装方式,请根据表2选择并联络我们具体的安装要求.